

SPECIFICATION FOR APPROVAL

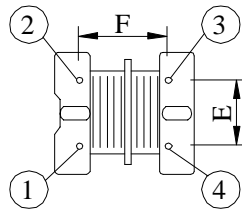
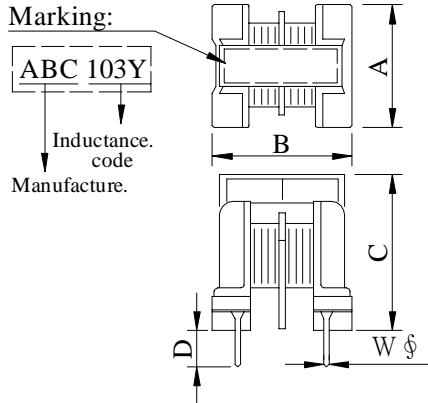
REF :

PAGE: 1

PROD. NAME	LINE FILTER	ABC'S DWG NO. ABC'S ITEM NO.	UF10□□□□□S□
---------------	-------------	---------------------------------	-------------

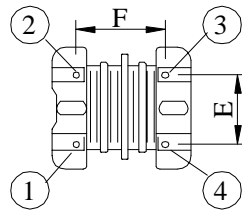
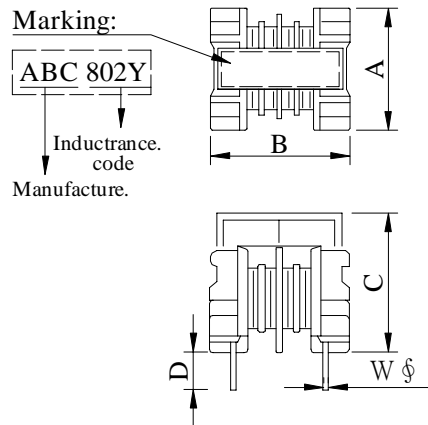
I . CONFIGURATION & DIMENSIONS :

● UF10V2 Series



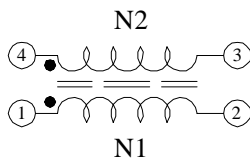
A :	17.0 max.	m/m
B :	19.0 max.	m/m
C :	22.5 max.	m/m
D :	4.5±1	m/m
E :	10.0±0.5	m/m
F :	13.0±0.5	m/m
W :	0.7	m/m

● UF10V4 Series



A :	17.0 max.	m/m
B :	19.0 max.	m/m
C :	20.5 max.	m/m
D :	4.5±1	m/m
E :	10.0±0.5	m/m
F :	13.0±0.5	m/m
W :	0.7	m/m

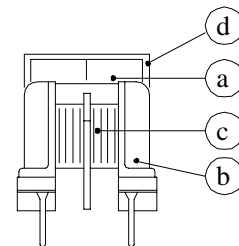
II . SCHEMATIC DIAGRAM :



"●" : Polarity

III . MATERIALS :

- a . Core : Ferrite UU core
- b . Bobbin : Phenolic or PBT.
- c . Wire : Enamelled copper wire
- d . Clip : High carbon steel
- e . Coating : Varnish



AE-001A

SPECIFICATION FOR APPROVAL

REF :

PAGE: 2

PROD. NAME	LINE FILTER	ABC'S DWG NO.	UF10□□□□□S□
		ABC'S ITEM NO.	

IV . GENERAL SPECIFICATION :

- a . Temp. rise : 40°C max. at rated current
- b . Storage temp. : -40°C ---- +105°C
- c . Operating temp. : -25°C ---- +85°C
- d . Pin strength : 1.0KG min.

V . ELECTRICAL CHARACTERISTICS :

DWG No.	L (mH) min.	RDC (Ω) max.	Rated Current (Aac)
UF10V2103YS□	10.0	2.5	0.4
UF10V2802YS□	8.0	1.7	0.5
UF10V2502YS□	5.0	1.0	0.7
UF10V2302YS□	3.0	0.5	0.8
UF10V2202YS□	2.0	0.4	1.0
UF10V2102YS□	1.0	0.2	1.6

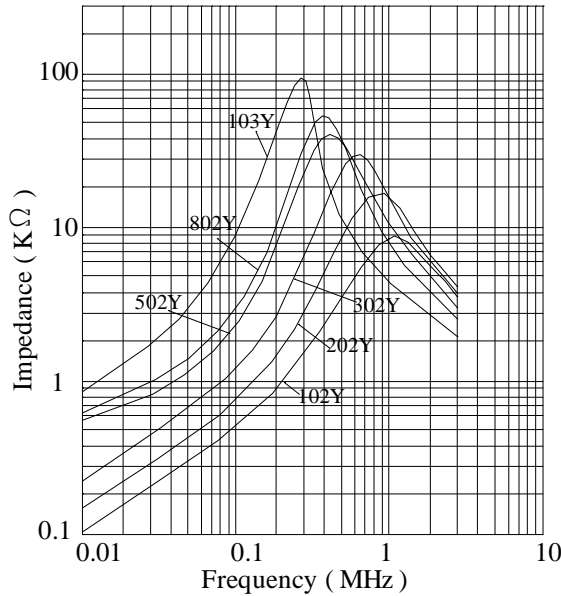
DWG No.	L (mH) min.	RDC (Ω) max.	Rated Current (Aac)
UF10V4802YS□	8.0	2.4	0.4
UF10V4502YS□	5.0	1.5	0.5
UF10V4402YS□	4.0	1.0	0.7
UF10V4252YS□	2.5	0.5	0.8
UF10V4162YS□	1.6	0.4	1.0
UF10V4801YS□	0.8	0.2	1.6

1). □ : Packaging information... [A] : Bulk

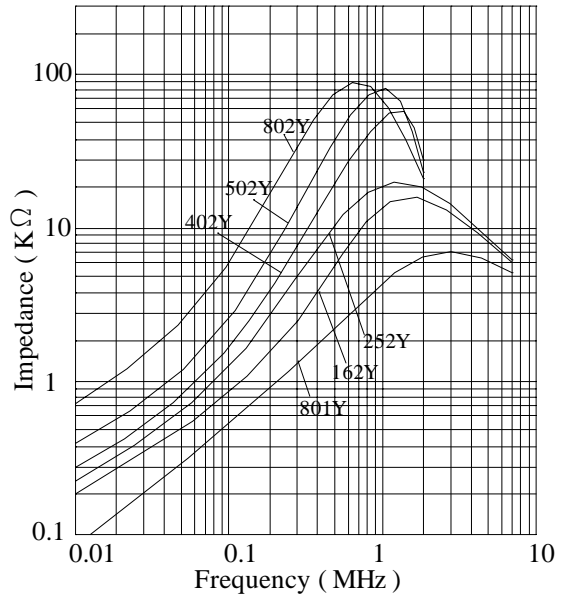
1). □ : Packaging information... [A] : Bulk

VI . IMPEDANCE VS FREQUENCY CURVE :

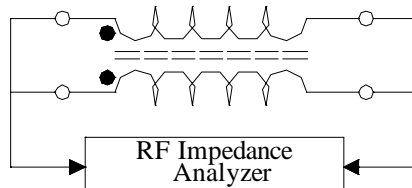
●UF10V2 Series



●UF10V4 Series



●IMPEDANCE MEASURING CIRCUIT :



AE-001A

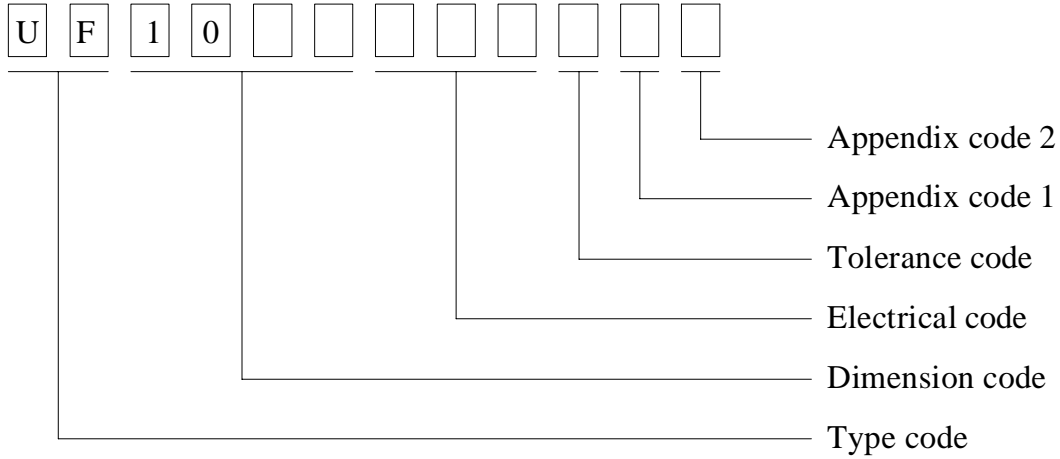
SPECIFICATION FOR APPROVAL

REF :

PAGE: 3

PROD. NAME	LINE FILTER	ABC'S DWG NO.	UF10□□□□□□S□
		ABC'S ITEM NO.	

VII . DWG EXPRESSION :



Appendix code 1 : S : Standard products
 A~R , T~Z : Spcial products

Appendix code 2 :

Code	Inner package	Inner package Q'TY	Remark
A	Tray	160 pcs	(F Type)