

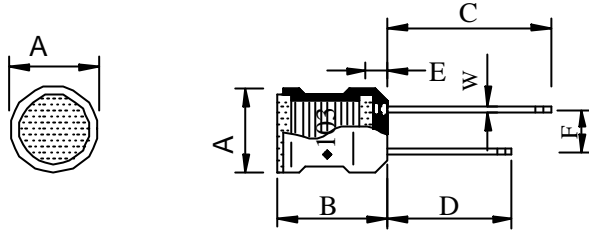
SPECIFICATION FOR APPROVAL

REF :

PAGE: 1

PROD. NAME	RADIAL INDUCTOR	ABC'S DWG NO.	RB1010	S
		ABC'S ITEM NO.		

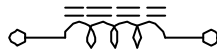
· CONFIGURATION & DIMENSIONS :



A	: 10.7 ±0.8	m/m
B	: 11.0 ±0.8	m/m
C	: 18.0 ±3.0	m/m
D	: 15.0 ±3.0	m/m
E	: 1.5 max.	m/m
F	: 7.0 ±0.8	m/m
W	: 0.80	m/m

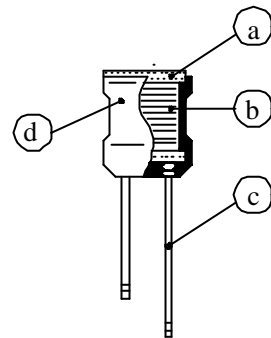
Marking : " ● " : 103

· SCHEMATIC DIAGRAM :



· MATERIALS :

- a · Core : Ferrite DR core 10x10
- b · Wire : Enamelled copper wire 130
- c · Lead : Tinned copper wire
- d · Tube : Sheinkable tube 125 , 600V



· ELECTRICAL CHARACTERISTICS :

- a · Temp. rise : 20 max. at rated current.
- b · Storage temp. : -40 ---- +105
- c · Operating temp. : -25 ---- +85

AE-001A

SPECIFICATION FOR APPROVAL

REF :

PAGE: 2

PROD. NAME	RADIAL INDUCTOR	ABC'S DWG NO.	RB1010	S
		ABC'S ITEM NO.		

. ELECTRICAL CHARACTERISTICS :

DWG No.	Inductance (uH)	Tolerance	Q min.	Test Freq. (Hz)		SRF (MHz) min.	RDC () max.	IDC (mA) max.
				L	Q			
RB1010101 S	100	K	30	1V/1K	0.796M	3.500	0.12	900
RB1010121 S	120	K	40	1V/1K	0.796M	3.000	0.18	820
RB1010151 S	150	K	35	1V/1K	0.796M	2.800	0.20	780
RB1010181 S	180	K	30	1V/1K	0.796M	2.600	0.23	680
RB1010221 S	220	K	30	1V/1K	0.796M	2.200	0.28	620
RB1010271 S	270	K	28	1V/1K	0.796M	2.000	0.32	520
RB1010331 S	330	K	22	1V/1K	0.796M	1.800	0.38	480
RB1010391 S	390	K	20	1V/1K	0.796M	1.700	0.43	430
RB1010471 S	470	K	17	1V/1K	0.796M	1.600	0.50	400
RB1010561 S	560	J,K	18	1V/1K	0.796M	1.500	0.65	370
RB1010681 S	680	J,K	15	1V/1K	0.796M	1.300	0.80	330
RB1010821 S	820	J,K	18	1V/1K	0.796M	1.220	1.00	300
RB1010102 S	1000	J,K	15	1V/1K	0.252M	1.100	1.20	270
RB1010122 S	1200	J,K	13	1V/1K	0.252M	1.000	1.30	250
RB1010152 S	1500	J,K	35	1V/1K	0.252M	0.820	1.80	220
RB1010182 S	1800	J,K	30	1V/1K	0.252M	0.780	2.20	200
RB1010222 S	2200	J,K	40	1V/1K	0.252M	0.720	2.80	180
RB1010272 S	2700	J,K	35	1V/1K	0.252M	0.680	3.20	160
RB1010332 S	3300	J,K	30	1V/1K	0.252M	0.660	3.60	155
RB1010392 S	3900	J,K	30	1V/1K	0.252M	0.600	4.20	140
RB1010472 S	4700	J,K	25	1V/1K	0.252M	0.480	5.40	130
RB1010562 S	5600	J,K	25	1V/1K	0.252M	0.450	6.00	120
RB1010682 S	6800	J,K	25	1V/1K	0.252M	0.380	7.50	110
RB1010822 S	8200	J,K	25	1V/1K	0.252M	0.350	8.60	105
RB1010103 S	10000	J,K	50	1V/1K	79.6K	0.340	10.00	100
RB1010123 S	12000	J,K	45	1V/1K	79.6K	0.300	13.50	80
RB1010153 S	15000	J,K	50	1V/1K	79.6K	0.280	17.00	70
RB1010183 S	18000	J,K	45	1V/1K	79.6K	0.230	21.00	55
RB1010223 S	22000	J,K	55	1V/1K	79.6K	0.200	25.00	52
RB1010273 S	27000	J,K	50	1V/1K	79.6K	0.190	32.00	48
RB1010333 S	33000	J,K	45	1V/1K	79.6K	0.180	40.00	40
RB1010393 S	39000	J,K	40	1V/1K	79.6K	0.160	45.00	37
RB1010473 S	47000	J,K	40	1V/1K	79.6K	0.150	52.00	32
RB1010563 S	56000	J,K	35	1V/1K	79.6K	0.130	66.00	30
RB1010683 S	68000	J,K	35	1V/1K	79.6K	0.125	78.00	24
RB1010823 S	82000	J,K	35	1V/1K	79.6K	0.120	105.00	22
RB1010104 S	100000	J,K	30	1V/1K	25.2K	0.100	140.00	20

- 1). : Packaging information A : Bulk
 2). Tolerance code : J : ±5% K : ±10%

AE-001A



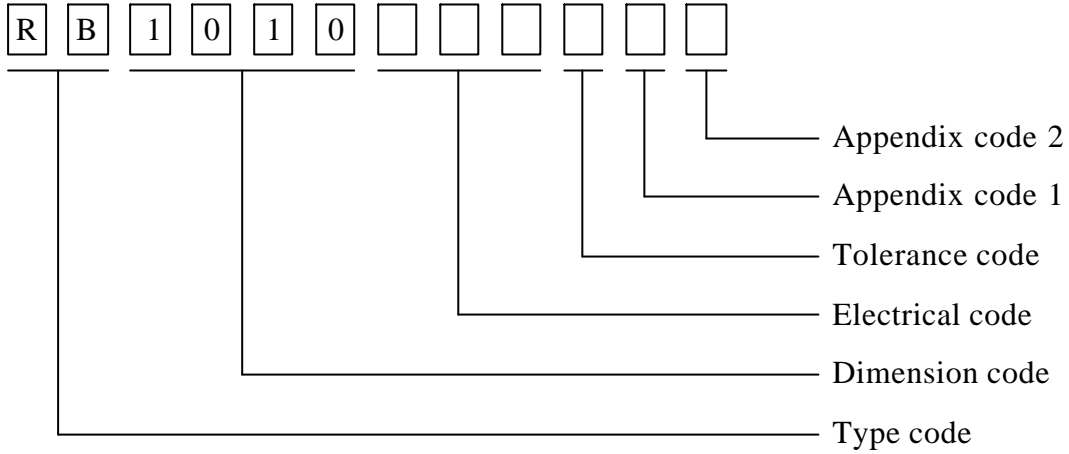
SPECIFICATION FOR APPROVAL

REF :

PAGE: 3

PROD. NAME	RADIAL INDUCTOR	ABC'S DWG NO.	RB1010	S
		ABC'S ITEM NO.		

· DWG EXPRESSION :



Appendix code 1 : S : Standard products

A R , T Z : Special products

Appendix code 2 :

Code	Inner package	Inner package Q'TY	Remark
A	Box	130 pcs	

AE-001A