

SPECIFICATION FOR APPROVAL

REF :

PAGE: 1

| | | | | |
|------------|-----------|----------------|----|---|
| PROD. NAME | BEAD COIL | ABC'S DWG NO. | BD | S |
| | | ABC'S ITEM NO. | | |

. CONFIGURATION & DIMENSIONS :

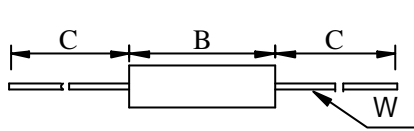


Fig : A

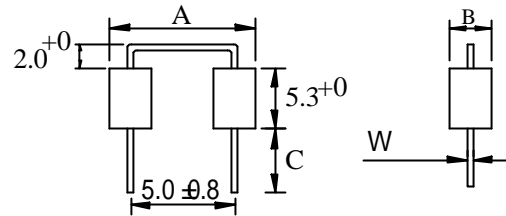


Fig : B

. MATERIALS :

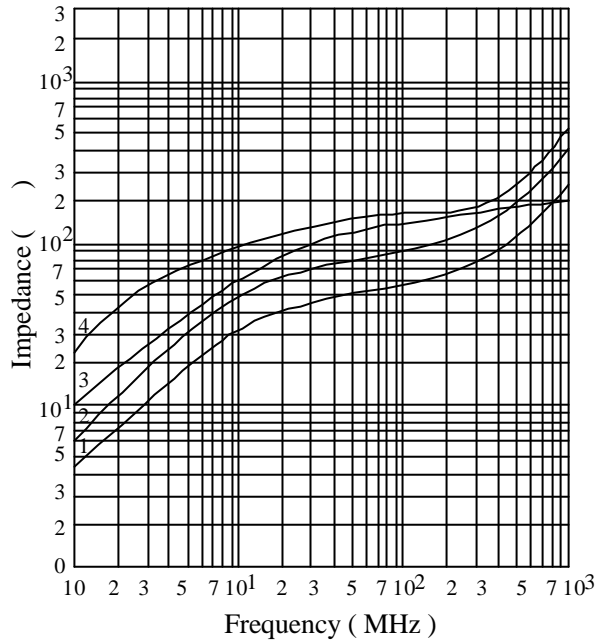
- a . Core : Ferrite RH core
- b . Lead wire : Tinned copper wire

. GENERAL SPECIFICATION :

- a . Operating temp. : -25 ---- +105
- b . Storage temp. : -40 ---- +125

1. BDC0305-450Y/ 100MHz
2. BDC0306-600Y/ 100MHz
3. BDC0309-800Y/ 100MHz
4. BDC0907-111Y/ 100MHz

. IMPEDANCE VS. FREQUENCY RESPONSE CURVE :



. ELECTRICAL CHARACTERISTICS & DIMENSIONS :

| ABC'S Part No. | Impedance () min. | Test Freq. (MHz) | Dimension (m/m). | | | | Fig. |
|----------------|--------------------|------------------|--------------------|----------|-----------|-------|------|
| | | | A m/m | B m/m | C m/m | W m/m | |
| BD0305450YS | 45 | 100 | 3.5 ±0.2 | 4.7 ±0.3 | 29.0 ±3.0 | 0.65 | A |
| BD0306600YS | 60 | 100 | 3.5 ±0.2 | 6.0 ±0.3 | 28.5 ±3.0 | 0.65 | A |
| BD0309800YS | 80 | 100 | 3.5 ±0.2 | 9.0 ±0.3 | 27.0 ±3.0 | 0.65 | A |
| BD0907111YS | 110 | 100 | 9.0 max. | 3.8 max. | 4.5 ±1.0 | 0.60 | B |

- 1) : Packaging Information [A]: Bulk
- 2). Test equipment : RD impedance analyzer HP4291A.
- 3). Test fixture : Spring clip fixture HP16092A.

AE-001A

SPECIFICATION FOR APPROVAL

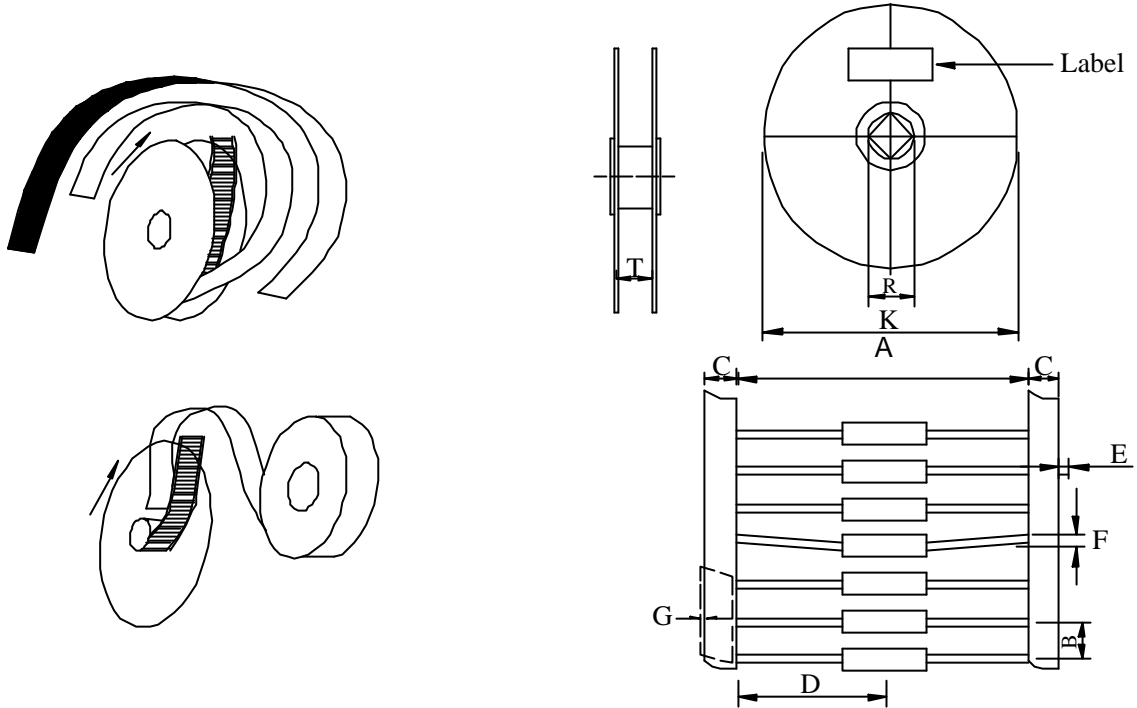
REF :

PAGE: 2

| | | | | |
|------------|-----------|----------------|----|---|
| PROD. NAME | BEAD COIL | ABC'S DWG NO. | BD | S |
| | | ABC'S ITEM NO. | | |

. PACKAGING INFORMATION FOR BDC HORIZONTAL TAPING IN REEL

(1) Configuration



(2) Dimensions

Unit:m/m

| Item | Specification | Item | Specification |
|------|---------------|------|---------------|
| A | 52.00 ±0.50 | F | 1.00 (max) |
| B | 5.00 ±0.50 | G | 1.00 (max) |
| C | 6.00 ±1.00 | K | 355.00 ±0.50 |
| D | 26.00 ±1.50 | R | 15.00 ±0.50 |
| E | 0.00 ±0.50 | T | 71.00 ±3.00 |

(3) Q'TY & G.W. Per package

| Series | Inner : Reel | | | Outer : Carton | | |
|--------|--------------|-----------|----------------|----------------|-----------|--------------------|
| | Q'TY (pcs) | G.W. (gw) | Size (m/m) | Q'TY (pcs) | G.W. (Kg) | Size (cm) |
| BD0305 | 5,000 | 2,300 | 364 x 365 x 89 | 20,000 | 10 | 37.5 x 37.0 x 37.5 |
| BD0306 | 5,000 | 2,700 | 364 x 365 x 89 | 20,000 | 10 | 37.5 x 37.0 x 37.5 |
| BD0309 | 5,000 | 3,700 | 364 x 365 x 89 | 20,000 | 16.2 | 37.5 x 37.0 x 37.5 |

AE-001A



SPECIFICATION FOR APPROVAL

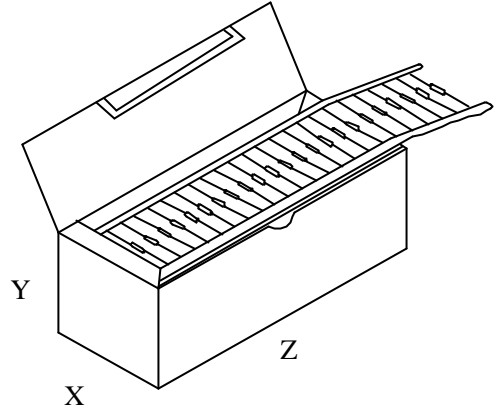
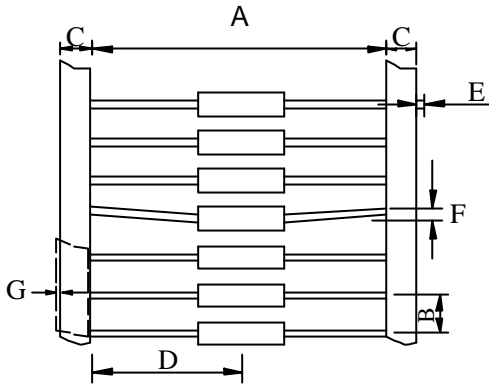
REF :

PAGE: 3

| | | | | |
|------------|-----------|----------------|----|---|
| PROD. NAME | BEAD COIL | ABC'S DWG NO. | BD | S |
| | | ABC'S ITEM NO. | | |

. PACKAGING INFORMATION FOR BDC HORIZONTAL TAPING IN BOX

(1) Configuration



(2) Dimensions

Unit:m/m

| Style | Item | Specification | Item | Specification |
|-------|------|---------------|------|---------------|
| T 26 | A | 26.00 ±.50 | B | 5.00 ±.50 |
| | D | 13.00 ±.50 | C | 6.00 ±.100 |
| | X | 50.00 ±.50 | E | 0.00 ±.50 |
| T 52 | A | 52.00 ±.50 | F | 1.00 (max) |
| | D | 26.00 ±.50 | G | 1.00 (max) |
| | X | 76.00 ±.50 | | |

(3) Q'TY & G.W. Per package

| Serie | Inner : Box | | | Outer : Carton | | |
|---------|-------------|-----------|---------------|----------------|-----------|--------------------|
| | Q'TY (pcs) | G.W. (gw) | Size (m/m) | Q'TY (pcs) | G.W. (Kg) | Size (cm) |
| BDC0305 | 1,000 | 350 | 295 x 75 x 58 | 35,000 | 15.0 | 37.5 x 37.0 x 37.5 |
| | | | | 12,000 | 8.5 | |
| BDC0306 | 1,000 | 450 | 295 x 75 x 58 | 24,000 | 15.5 | 37.6 x 26.6 x 34.5 |
| | | | | 18,000 | 12.0 | 37.6 x 26.6 x 34.5 |
| BDC0309 | 1,000 | 650 | 295 x 75 x 58 | 16,000 | 10.5 | 37.6 x 26.6 x 34.5 |
| | | | | 24,000 | 16.5 | 37.6 x 26.6 x 34.5 |

AE-001A

SPECIFICATION FOR APPROVAL

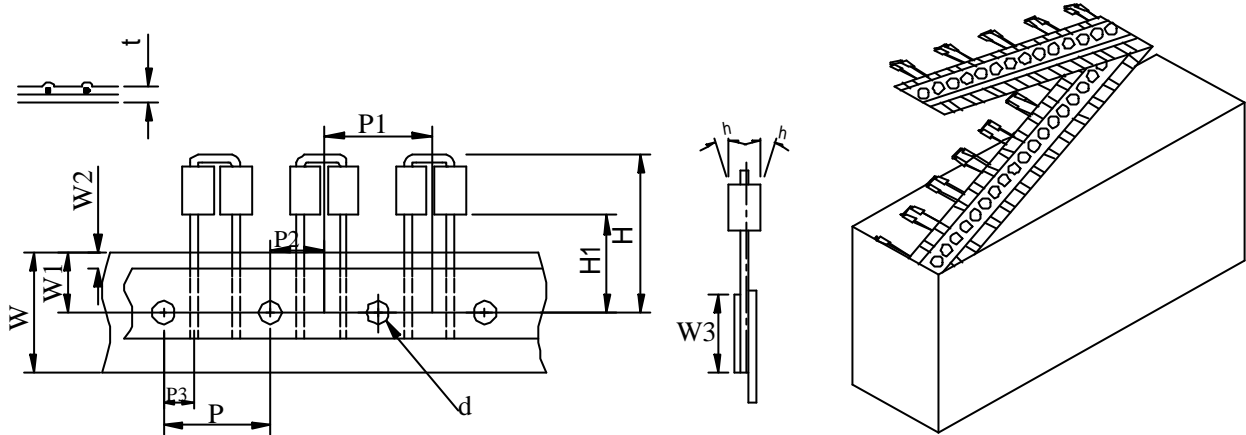
REF :

PAGE: 4

| | | | | |
|------------|-----------|----------------|----|---|
| PROD. NAME | BEAD COIL | ABC'S DWG NO. | BD | S |
| | | ABC'S ITEM NO. | | |

. PACKAGING INFORMATION FOR BDC VERTICAL TAPING IN BOX

(1) Configuration



(2) Dimension

Unit:m/m

| Item | Specification | Item | Specification |
|------|-----------------|------------|-----------------|
| P | 12.7 \pm 0.30 | W3 | 11.0 max. |
| P1 | 12.7 \pm 1.00 | H | 27.0 max. |
| P2 | 6.35 \pm 1.00 | H1 | 18.5 \pm 1.00 |
| P3 | 3.85 \pm 0.70 | Δ h | 0.0 \pm 2.00 |
| W | 18.0 \pm 0.50 | t | 0.7 \pm 0.20 |
| W1 | 9.0 \pm 0.50 | d | 4.0 \pm 0.20 |
| W2 | 2.0 max. | | |

(3) Q'TY & G.W. Per package

| Series | Inner : Box | | | Outer : Carton | | |
|---------|-------------|-----------|----------------|----------------|-----------|--------------------|
| | Q'TY (pcs) | G.W. (gw) | Size (m/m) | Q'TY (pcs) | G.W. (Kg) | Size (cm) |
| BDC0907 | 2,000 | 1,100 | 332 x 273 x 40 | 10,000 | 9.00 | 37.5 x 37.0 x 37.5 |

AE-001A

SPECIFICATION FOR APPROVAL

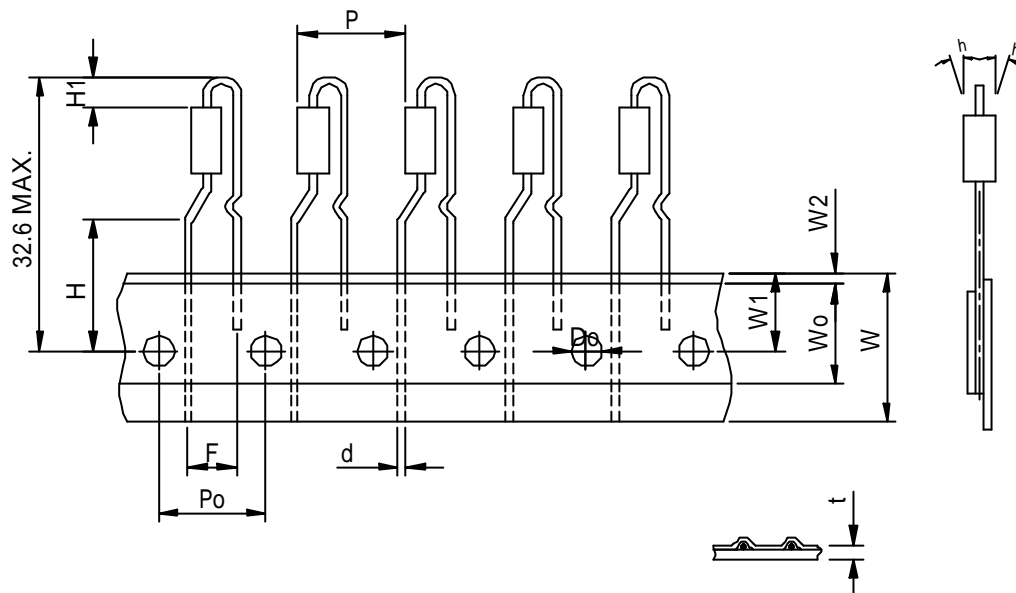
REF :

PAGE: 5

| | | | | |
|------------|-----------|----------------|----|---|
| PROD. NAME | BEAD COIL | ABC'S DWG NO. | BD | S |
| | | ABC'S ITEM NO. | | |

· PACKAGING INFORMATION FOR BDC VERTICAL TAPING IN BOX
(Packaging Code : F)

(1) Configuration



(2) Dimension

Unit:m/m

| Item | Specification | Item | Specification |
|------|---------------|------|-------------------------------------|
| P | 12.70 ±1.00 | H1 | 3.00 max. |
| Po | 12.70 ±0.30 | W | 18.00 ⁺⁰ _{-0.5} |
| d | 0.65 or 0.5 | Wo | 12.50 min. |
| F | 5.00 ±0.80 | W1 | 9.00 ±0.80 |
| Do | 4.00 ± 0.30 | W2 | 1.00 max. |
| H | 16.00 ±1.00 | t | 0.70 ±0.30 |
| h | 0.00 ±1.00 | | |

AE-001A