

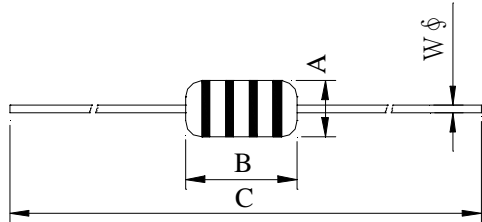
SPECIFICATION FOR APPROVAL

REF :

PAGE: 1

PROD. NAME	AXIAL INDUCTOR	ABC'S DWG NO.	AA0512□□□□S□
		ABC'S ITEM NO.	

I . CONFIGURATION & DIMENSIONS :

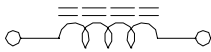


- A : 4.8 max. m/m
- B : 12.0 max. m/m
- C : 61.0 ref. m/m
- W : 0.65 m/m

※Color Code :

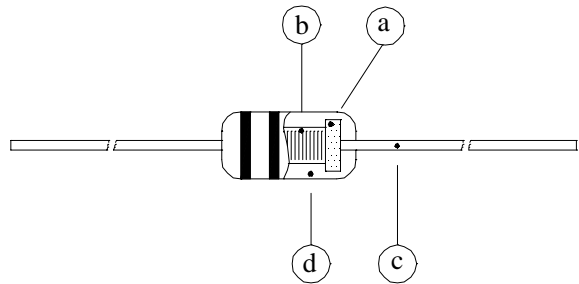
- 1st Color : First Significant Figure
- 2nd Color : Second Significant Figure
- 3rd Color : Multiplier
- 4th Color : Tolerance

II . SCHEMATIC DIAGRAM :



III . MATERIALS :

- a . Core : Ferrite DR core
- b . Wire : Enamelled copper wire 130°C
- c . Lead : Tinned copper wire
- d . Coating : Epoxy resin



IV . GENERAL SPECIFICATION :

- a . Temp. rise : 20°C max.
- b . Ambient temp : 60°C max.
- c . Operating temp : -20°C --- 80°C
- d . Terminal tensile strength : 2.5 KG min
- e . Terminal bending strength : 0.5 KG min
- f . Dielectric withstanding voltage : 250 Vrms
- g . Rated current : Base on temp. rise and teh DC current which
Will cause 10% Maximum reduction in inductance.

SPECIFICATION FOR APPROVAL

REF :

PAGE: 2

PROD. NAME	AXIAL INDUCTOR	ABC'S DWG NO.	AA0512□□□□S□
		ABC'S ITEM NO.	

V . ELECTRICAL CHARACTERISTICS :

DWG No.	Inductance		Q min.	Test Freq. (MHz)	SRF (MHz) min	RDC (Ω) max	IDC (mA) max	Color Code			
	(μ H)	Tol.						1st	2nd	3rd	4th
AA0512330KS□	33	± 10%	40	2.520	7.00	0.45	500	O	O	BK	SL
AA0512470KS□	47	± 10%	30	2.520	5.00	0.50	450	Y	V	BK	SL
AA0512680KS□	68	± 10%	30	2.520	4.00	0.60	380	BU	GY	BK	SL
AA0512101KS□	100	± 10%	30	0.796	3.00	0.75	320	BN	BK	BN	SL
AA0512221KS□	220	± 10%	30	0.796	0.80	1.05	280	R	R	BN	SL
AA0512471KS□	470	± 5%	35	0.796	1.50	2.50	200	Y	V	BN	GD
AA0512102JS□	1000	± 5%	50	0.252	1.20	4.80	140	BN	BK	R	GD
AA0512122JS□	1200	± 5%	50	0.252	1.00	5.00	130	BN	R	R	GD
AA0512152JS□	1500	± 5%	45	0.252	1.00	6.50	120	BN	GN	R	GD
AA0512222JS□	2200	± 5%	40	0.252	0.80	9.00	90	R	R	R	GD
AA0512332JS□	3300	± 5%	40	0.252	0.60	18.00	75	O	O	R	GD
AA0512392JS□	3900	± 5%	40	0.252	0.60	20.00	70	O	W	R	GD
AA0512472JS□	4700	± 5%	40	0.252	0.50	26.00	60	Y	V	R	GD
AA0512822JS□	8200	± 5%	40	0.252	0.38	40.00	50	GY	R	R	GD
AA0512103JS□	10000	± 5%	30	0.079	0.32	48.00	45	BN	BK	O	GD
AA0512223JS□	22000	± 5%	30	0.079	0.24	136.00	25	R	R	O	GD
AA0512473JS□	47000	± 5%	20	0.079	0.16	240.00	20	Y	V	O	GD
AA0512104JS□	100000	± 5%	20	0.079	0.12	480.00	15	BN	BK	Y	GD

1). □ : Package Information--- Bulk Taping / Reel

SPECIFICATION FOR APPROVAL

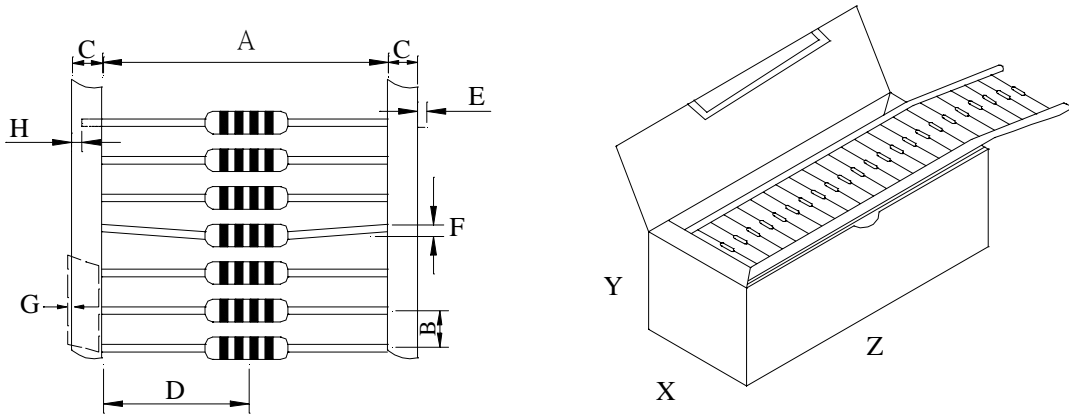
REF :

PAGE: 3

PROD. NAME	AXIAL INDUCTOR	ABC'S DWG NO.	AA0512□□□□S□
		ABC'S ITEM NO.	

VI . PACKAGING INFORMATION FOR ALA HORIZONTAL TAPING IN BOX

(1) Configuration



(2) Dimensions

Unit:m/m

Style	Item	Specification	Item	Specification
T 52	A	52.00 ± 1.50	C	6.00 ± 1.00
	D	26.00 ± 1.50	E	0.50 (max)
	X	76.00 ± 1.50	F	1.00 (max)
	B	5.00 ± 0.50	G	1.00 (max)
	H	2.50 (max)		

(3) Q'TY & G.W. Per package

Series	Inner : Box			Outer : Carton		
	Q'TY (pcs)	G.W. (gw)	Size (m/m)	Q'TY (pcs)	G.W. (Kg)	Size (cm)
AA0512	1000	600	256 x 76 x 106	12,000	7.80	37.6 x 26.6 x 34.5

AE-001A

SPECIFICATION FOR APPROVAL

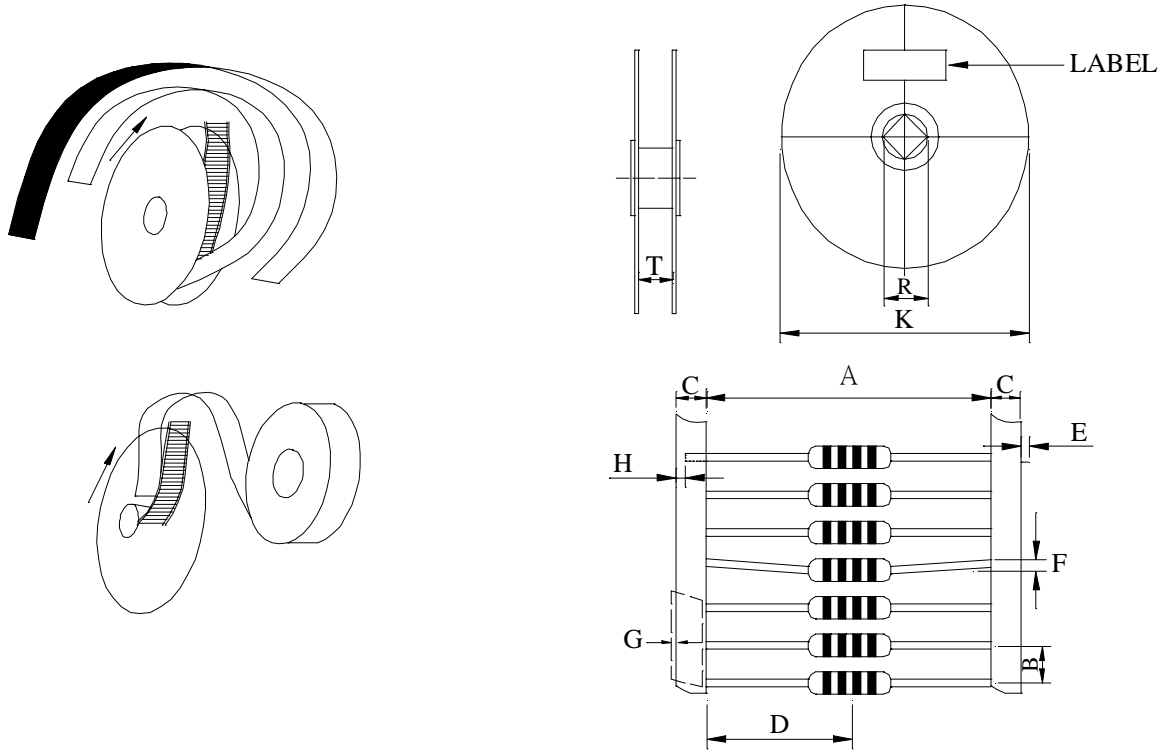
REF :

PAGE: 4

PROD. NAME	AXIAL INDUCTOR	ABC'S DWG NO.	AA0512□□□□S□
		ABC'S ITEM NO.	

VII . PACKAGING INFORMATION FOR ALA HORIZONTAL TAPING IN REEL

(1) CONFIGURATION



(2) DIMENSIONS

Unit:m/m

Item	Specification	Item	Specification
A	52.00± 1.50	F	1.00 (max)
B	5.00± 0.50	G	1.00 (max)
C	6.00± 1.00	K	355.00± 0.50
D	26.00± 1.50	R	15.00± 0.50
E	0.50 (max)	T	71.00± 3.00
H	2.50 (max)		

(3) Q'TY & G.W. PER PACKAGE

Series	Inner : Reel			Outer : Carton		
	Q'TY (pcs)	G.W. (gw)	Size (m/m)	Q'TY (pcs)	G.W. (Kg)	Size (cm)
AA0512	3,000	1,200	370 x 370 x 85	12,000	6.5	37.9 x 37.9 x 37.3

AE-001A

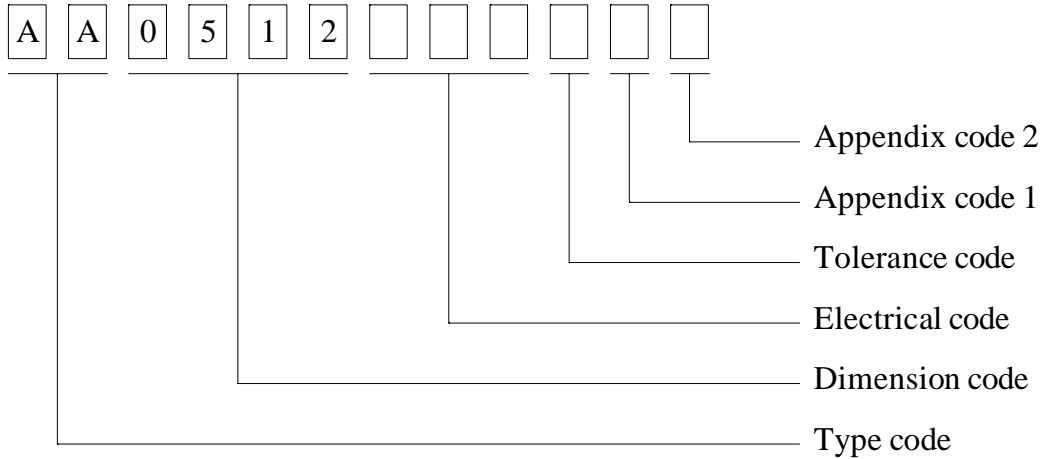
SPECIFICATION FOR APPROVAL

REF :

PAGE: 5

PROD. NAME	AXIAL INDUCTOR	ABC'S DWG NO.	AA0512□□□□S□
		ABC'S ITEM NO.	

VIII . DWG EXPRESSION :



Appendix code 1 : S : Standard products
 A~R , T~Z : Special products

Appendix code 2 :

Code	Inner package	Inner package Q'TY	Remark
A	Bag	500 pcs	
B	T / R (T52 Reel package)	3000 pcs	
C	T / R (T52 Box package)	1000 pcs	