

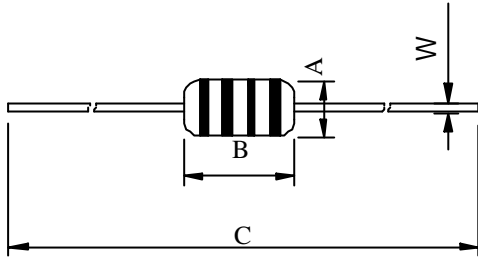
SPECIFICATION FOR APPROVAL

REF :

PAGE: 1

PROD. NAME	AXIAL INDUCTOR	ABC'S DWG NO.	AA0410	S
		ABC'S ITEM NO.		

. CONFIGURATION & DIMENSIONS :

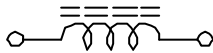


A : 4.0 max.	m/m
B : 10.5 max.	m/m
C : 61.0 ref.	m/m
W : 0.65	m/m

Color code :

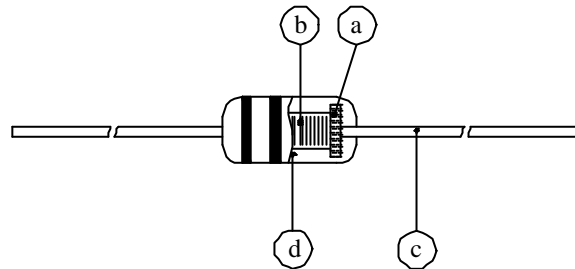
- 1st Color : First Significant Figure
- 2nd Color : Second Significant Figure
- 3rd Color : Multiplier
- 4th Color : Tolerance

. SCHEMATIC DIAGRAM :



. MATERIALS :

- a . Core : Ferrite DR core
- b . Wire : Enamelled copper wire 130
- c . Lead : Tinned copperd wire
- d . Coating : Epoxy resin



. GENERAL SPECIFICATION :

- a . Temp. rise : 20 max.
- b . Ambient temp : 60 max.
- c . Operating temp : -20 ---- 80
- d . Terminal tensile strength : 2.5 KG min
- e . Terminal bending strength : 0.5 KG min
- f . Dielectric withstanding voltage : 250 Vrms
- g . Rated current : Base on temp rise

AE-001A

SPECIFICATION FOR APPROVAL

REF :

PAGE: 2

PROD. NAME	AXIAL INDUCTOR	ABC'S DWG NO.	AA0410	S
		ABC'S ITEM NO.		

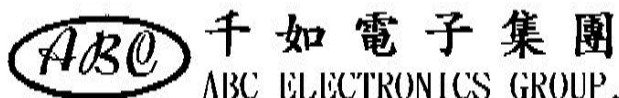
. ELECTRICAL CHARACTERISTICS :

DWG No.	Inductance		Q min.	Test Freq. (MHz)	SRF (MHz) min	RDC () max	IDC (mA) max	Color Code			
	(μH)	Tol.						1st	2nd	3rd	4th
AA0410R10MS	0.10	±0%	50	25.2	480.0	0.06	1700	BN	BK	SIL	---
AA0410R12MS	0.12	±0%	50	25.2	450.0	0.06	1640	BN	R	SIL	---
AA0410R15MS	0.15	±0%	50	25.2	420.0	0.07	1560	BN	GN	SIL	---
AA0410R18MS	0.18	±0%	50	25.2	400.0	0.07	1480	BN	GY	SIL	---
AA0410R22MS	0.22	±0%	50	25.2	380.0	0.08	1400	R	R	SIL	---
AA0410R27MS	0.27	±0%	50	25.2	340.0	0.09	1320	R	V	SIL	---
AA0410R33MS	0.33	±0%	50	25.2	300.0	0.10	1280	O	O	SIL	---
AA0410R39MS	0.39	±0%	50	25.2	280.0	0.12	1200	O	W	SIL	---
AA0410R47MS	0.47	±0%	50	25.2	250.0	0.13	1150	Y	V	SIL	---
AA0410R56MS	0.56	±0%	50	25.2	230.0	0.14	1100	GN	BU	SIL	---
AA0410R68MS	0.68	±0%	50	25.2	210.0	0.15	1030	BU	GY	SIL	---
AA0410R82MS	0.82	±0%	50	25.2	172.0	0.16	980	GY	R	SIL	---
AA0410I0R0KS	1.00	±0%	50	25.2	157.0	0.17	920	BN	BK	GD	SIL
AA0410I1R2KS	1.20	±0%	50	7.96	144.0	0.18	880	BN	R	GD	SIL
AA0410I1R5KS	1.50	±0%	50	7.96	131.0	0.20	830	BN	GN	GD	SIL
AA0410I1R8KS	1.80	±0%	50	7.96	121.0	0.22	790	BN	GY	GD	SIL
AA0410I2R2KS	2.20	±0%	50	7.96	110.0	0.24	750	R	R	GD	SIL
AA0410I2R7KS	2.70	±0%	60	7.96	100.0	0.25	720	R	V	GD	SIL
AA0410I3R3KS	3.30	±0%	60	7.96	94.0	0.30	670	O	O	GD	SIL
AA0410I3R9KS	3.90	±0%	60	7.96	86.0	0.35	640	O	W	GD	SIL
AA0410I4R7KS	4.70	±0%	70	7.96	80.0	0.40	620	Y	V	GD	SIL
AA0410I5R6KS	5.60	±0%	70	7.96	74.0	0.45	590	GN	BU	GD	SIL
AA0410I6R8KS	6.80	±0%	70	7.96	68.0	0.50	550	BU	GY	GD	SIL
AA0410I8R2KS	8.20	±0%	80	7.96	53.0	0.60	530	GY	R	GD	SIL
AA0410I100KS	10.00	±0%	80	7.96	40.0	0.65	500	BN	BK	BK	SIL
AA0410I120KS	12.00	±0%	70	2.52	34.0	0.70	480	BN	R	BK	SIL
AA0410I150KS	15.00	±0%	70	2.52	20.0	0.75	460	BN	GN	BK	SIL
AA0410I180KS	18.00	±0%	60	2.52	14.0	0.80	430	BN	GY	BK	SIL
AA0410I220KS	22.00	±0%	60	2.52	9.9	0.90	410	R	R	BK	SIL
AA0410I270KS	27.00	±0%	50	2.52	7.6	1.00	390	R	V	BK	SIL
AA0410I330KS	33.00	±0%	50	2.52	6.5	1.10	370	O	O	BK	SIL
AA0410I390KS	39.00	±0%	50	2.52	6.5	1.20	350	O	W	BK	SIL
AA0410I470KS	47.00	±0%	45	2.52	6.3	1.30	340	Y	V	BK	SIL
AA0410I560KS	56.00	±0%	45	2.52	6.2	1.50	320	GN	BU	BK	SIL
AA0410I680KS	68.00	±0%	40	2.52	5.7	1.80	305	BU	GY	BK	SIL
AA0410I820KS	82.00	±0%	35	2.52	5.3	2.00	290	GY	R	BK	SIL
AA0410I101KS	100.00	±0%	30	2.52	4.8	2.50	275	BN	BK	BN	SIL
AA0410I121KS	120.00	±0%	60	0.796	3.8	3.00	185	BN	R	BN	SIL
AA0410I151KS	150.00	±0%	60	0.796	3.5	4.00	175	BN	GN	BN	SIL
AA0410I181KS	180.00	±0%	60	0.796	3.0	4.50	165	BN	GY	BN	SIL
AA0410I221KS	220.00	±0%	60	0.796	2.8	5.00	155	R	R	BN	SIL
AA0410I271KS	270.00	±0%	60	0.796	2.6	6.00	145	R	V	BN	SIL
AA0410I331KS	330.00	±0%	60	0.796	2.4	6.50	137	O	O	BN	SIL
AA0410I391KS	390.00	±0%	55	0.796	2.0	7.50	133	O	W	BN	SIL
AA0410I471KS	470.00	±0%	50	0.796	1.8	8.50	126	Y	V	BN	SIL
AA0410I561KS	560.00	±0%	50	0.796	1.6	9.50	120	GN	BU	BN	SIL
AA0410I681KS	680.00	±0%	45	0.796	1.6	12.00	113	BU	GY	BN	SIL
AA0410I821KS	820.00	±0%	45	0.796	1.4	14.00	105	GY	R	BN	SIL
AA0410I102KS	1000.00	±0%	40	0.796	1.2	20.00	85	BN	BK	R	SIL

1). : Package Information--- Bulk Taping / Box Taping / Reel

2). Test Equipment : HP4342A Q Meter or Equivalent

AE-001A



SPECIFICATION FOR APPROVAL

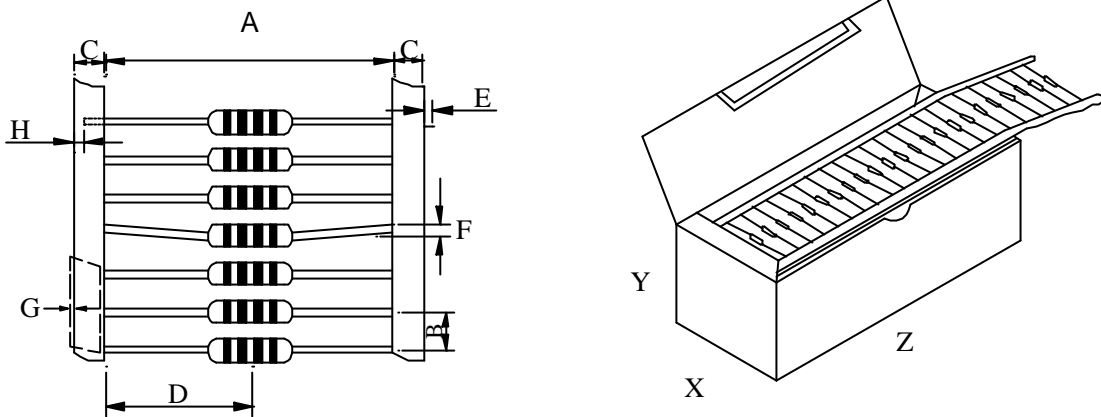
REF :

PAGE: 3

PROD. NAME	AXIAL INDUCTOR	ABC'S DWG NO.	AA0410	S
		ABC'S ITEM NO.		

. PACKAGING INFORMATION FOR ALA HORIZONTAL TAPING IN BOX

(1) Configuration



(2) Dimensions

Unit:m/m

Style	Item	Specification	Item	Specification
T 26	A	26.00 ±0.50	B	5.00 ±0.50
	D	13.00 ±0.50	C	6.00 ±1.00
	X	50.00 ±1.50	E	0.50 (max)
	H	2.50 (max)		
T 52	A	52.00 ±1.50	F	1.00 (max)
	D	26.00 ±1.50	G	1.00 (max)
	X	76.00 ±1.50	H	2.50 (max)

(3) Q'TY & G.W. Per package

Series	Inner : Box			Outer : Carton		
	Q'TY (pcs)	G.W. (gw)	Size (m/m)	Q'TY (pcs)	G.W. (Kg)	Size (cm)
AA0410	2,000	600	250x 75 x 100	24,000	8.0	37.6 x 26.6 x 34.5

AE-001A

SPECIFICATION FOR APPROVAL

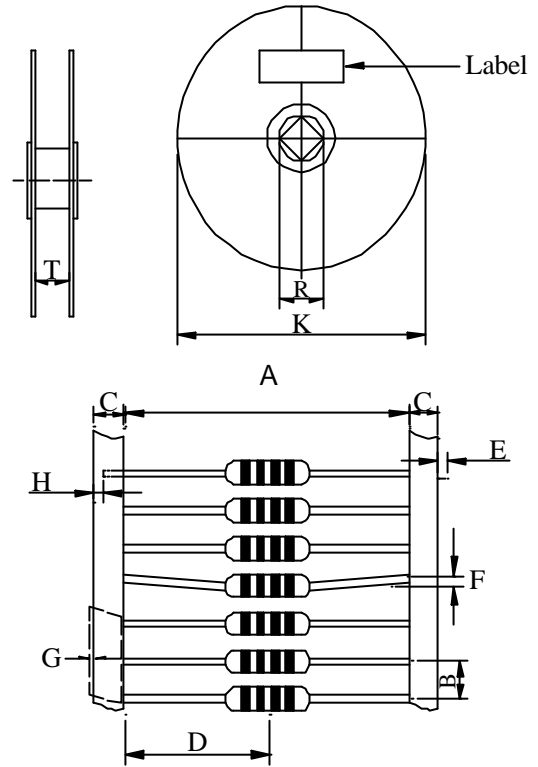
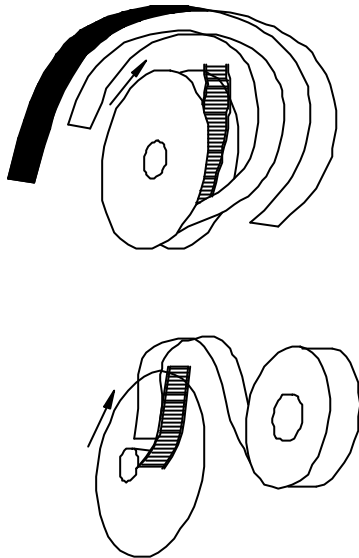
REF :

PAGE: 4

PROD. NAME	AXIAL INDUCTOR	ABC'S DWG NO.	AA0410	S
		ABC'S ITEM NO.		

. PACKAGING INFORMATION FOR ALA HORIZONTAL TAPING IN REEL

(1) Configuration



(2) Dimensions

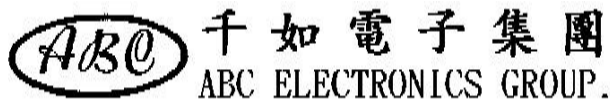
Unit:m/m

Item	Specification	Item	Specification
A	52.00 ± 1.50	F	1.00 (max)
B	5.00 ± 0.50	G	1.00 (max)
C	6.00 ± 1.00	K	355.00 ± 0.50
D	26.00 ± 1.50	R	15.00 ± 0.50
E	0.50 (max)	T	71.00 ± 3.00
H	2.50 (max)		

(3) QTY & G.W. Per package

Series	Inner : Reel			Outer : Carton		
	QTY (pcs)	G.W. (gw)	Size (m/m)	QTY (pcs)	G.W. (Kg)	Size (cm)
AA0410	5,000	2,000	370 x 370 x 85	20,000	10.0	37.9 x 37.9 x 37.3

AE-001A



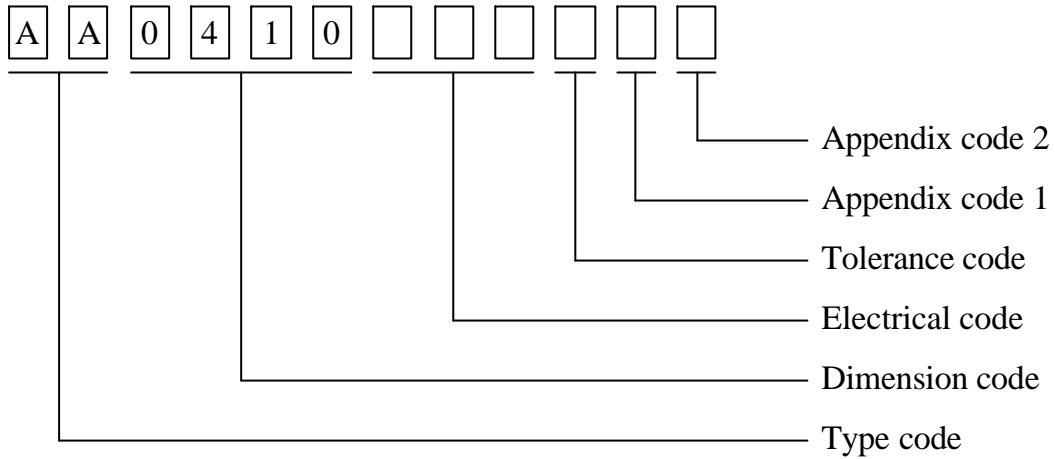
SPECIFICATION FOR APPROVAL

REF :

PAGE: 5

PROD. NAME	AXIAL INDUCTOR	ABC'S DWG NO.	AA0410 S
		ABC'S ITEM NO.	

. DWG EXPRESSION :



Appendix code 1 : S : Standard products

A R , T Z : Special products

Appendix code 2 :

Code	Inner package	Inner package Q'TY	Remark
A	Bag	1000 pcs	
B	T / B (T52 Box package)	2000 pcs	
C	T / R (T52 Reel package)	5000 pcs	