

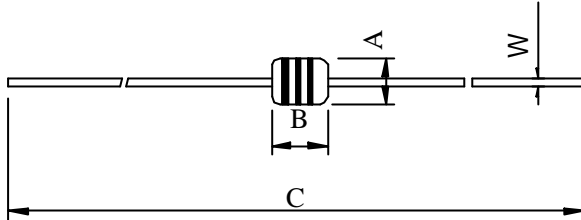
SPECIFICATION FOR APPROVAL

REF :

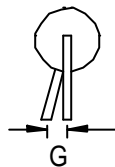
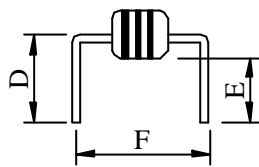
PAGE: 1

PROD. NAME	AXIAL INDUCTOR	ABC'S DWG NO.	AA0405	S
		ABC'S ITEM NO.		

. CONFIGURATION & DIMENSIONS :



A	: 3.8 max.	m/m
B	: 4.8 max.	m/m
C	: 61.0 ref.	m/m
D	: 6.7 ±0.1	m/m
E	: 5.0 ±0.1	m/m
F	: 7.5 ±0.1	m/m
G	: 1.7 max.	m/m
W	: 0.6	m/m



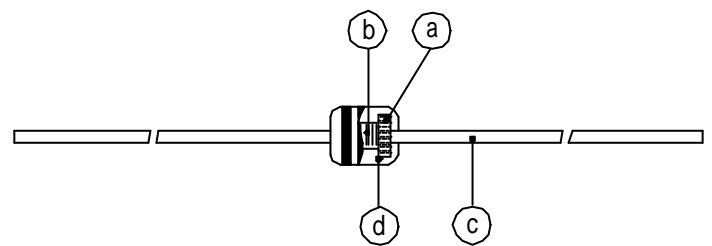
Color code :
 1st Color : First Significant Figure
 2nd Color : Second Significant Figure
 3rd Color : Multiplier

. SCHEMATIC DIAGRAM :



. MATERIALS :

- a . Core : Ferrite DR core
- b . Wire : Enamelled copper wire 130
- c . Lead : Tinned copper wire
- d . Coating : Epoxy resin



. GENERAL SPECIFICATION :

- a . Temp. rise : 20 max.
- b . Ambient temp : 60 max.
- c . Operating temp : -20 ---- 80
- d . Terminal tensile strength : 1.0 KG min
- e . Terminal bending strength : 0.3 KG min
- f . Dielectric withstanding voltage : 250 Vrms
- g . Rated current : Base on temp rise

AE-001A

SPECIFICATION FOR APPROVAL

REF :

PAGE: 2

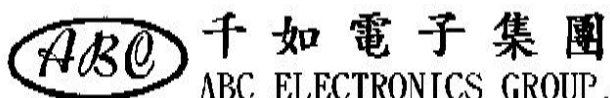
PROD. NAME	AXIAL INDUCTOR	ABC'S DWG NO.	AA0405	S
		ABC'S ITEM NO.		

. ELECTRICAL CHARACTERISTICS :

DWG No.	Inductance		Q min.	Test Freq. (MHz)	SRF (MHz) min	RDC () max	IDC (mA) max	Color Code		
	(μH)	Tol.						1st	2nd	3rd
AA0405R22MS	0.22	±20%	50	25.2	200.0	0.08	1400	R	R	SIL
AA0405R27MS	0.27	±20%	50	25.2	180.0	0.09	1350	R	V	SIL
AA0405R33MS	0.33	±20%	50	25.2	160.0	0.10	1300	O	O	SIL
AA0405R39MS	0.39	±20%	50	25.2	140.0	0.11	1250	O	W	SIL
AA0405R47MS	0.47	±20%	50	25.2	130.0	0.12	1200	Y	V	SIL
AA0405R56MS	0.56	±20%	50	25.2	120.0	0.14	1150	GN	BU	SIL
AA0405R68MS	0.68	±20%	50	25.2	120.0	0.15	1100	BU	GY	SIL
AA0405R82MS	0.82	±20%	50	25.2	90.0	0.16	1050	GY	R	SIL
AA04051R0KS	1.00	±0%	50	25.2	85.0	0.17	1000	BN	BK	GD
AA04051R2KS	1.20	±0%	50	7.96	80.0	0.18	900	BN	R	GD
AA04051R5KS	1.50	±0%	50	7.96	75.0	0.20	800	BN	GN	GD
AA04051R8KS	1.80	±0%	50	7.96	57.0	0.22	770	BN	GY	GD
AA04052R2KS	2.20	±0%	50	7.96	47.0	0.24	750	R	R	GD
AA04052R7KS	2.70	±0%	50	7.96	42.0	0.26	710	R	V	GD
AA04053R3KS	3.30	±10%	50	7.96	37.0	0.28	670	O	O	GD
AA04053R9KS	3.90	±0%	50	7.96	35.0	0.30	620	O	W	GD
AA04054R7KS	4.70	±0%	50	7.96	31.0	0.34	560	Y	V	GD
AA04055R6KS	5.60	±0%	50	7.96	27.0	0.45	540	GN	BU	GD
AA04056R8KS	6.80	±0%	50	7.96	25.0	0.50	520	BU	GY	GD
AA04058R2KS	8.20	±0%	50	7.96	23.0	0.57	490	GY	R	GD
AA0405100KS	10.00	±0%	50	7.96	21.0	0.62	460	BN	BK	BK
AA0405120KS	12.00	±0%	50	2.52	18.0	0.90	360	BN	R	BK
AA0405150KS	15.00	±0%	50	2.52	16.0	1.00	340	BN	GN	BK
AA0405180KS	18.00	±0%	50	2.52	15.0	1.10	310	BN	GY	BK
AA0405220KS	22.00	±0%	50	2.52	13.0	1.20	280	R	R	BK
AA0405270KS	27.00	±0%	50	2.52	12.0	1.30	260	R	V	BK
AA0405330KS	33.00	±0%	50	2.52	11.0	1.70	240	O	O	BK
AA0405390KS	39.00	±0%	50	2.52	10.0	1.90	220	O	W	BK
AA0405470KS	47.00	±0%	50	2.52	10.0	2.20	210	Y	V	BK
AA0405560KS	56.00	±0%	50	2.52	9.0	2.40	190	GN	BU	BK
AA0405680KS	68.00	±0%	50	2.52	8.5	3.00	175	BU	GY	BK
AA0405820KS	82.00	±0%	50	2.52	8.0	3.30	165	GY	R	BK
AA0405101KS	100.00	±0%	50	2.52	7.0	4.00	155	BN	BK	BN
AA0405121KS	120.00	±0%	50	0.796	6.5	4.50	145	BN	R	BN
AA0405151KS	150.00	±0%	50	0.796	6.0	4.90	130	BN	GN	BN
AA0405181KS	180.00	±0%	50	0.796	5.3	6.00	125	BN	GY	BN
AA0405221KS	220.00	±0%	50	0.796	5.0	7.00	120	R	R	BN
AA0405271KS	270.00	±0%	50	0.796	4.6	9.00	105	R	V	BN
AA0405331KS	330.00	±0%	50	0.796	4.2	13.00	95	O	O	BN
AA0405391KS	390.00	±0%	50	0.796	3.8	15.00	90	O	W	BN
AA0405471KS	470.00	±0%	50	0.796	3.4	17.00	80	Y	V	BN
AA0405561KS	560.00	±0%	50	0.796	2.8	19.00	75	GN	BU	BN
AA0405681KS	680.00	±0%	50	0.796	2.6	21.00	70	BU	GY	BN
AA0405821KS	820.00	±0%	50	0.796	2.4	25.00	60	GY	R	BN
AA0405102KS	1000.00	±0%	50	0.796	2.2	31.50	55	BN	BK	R

1). : Package Information--- Bulk Taping / Box Taping / Reel

AE-001A



SPECIFICATION FOR APPROVAL

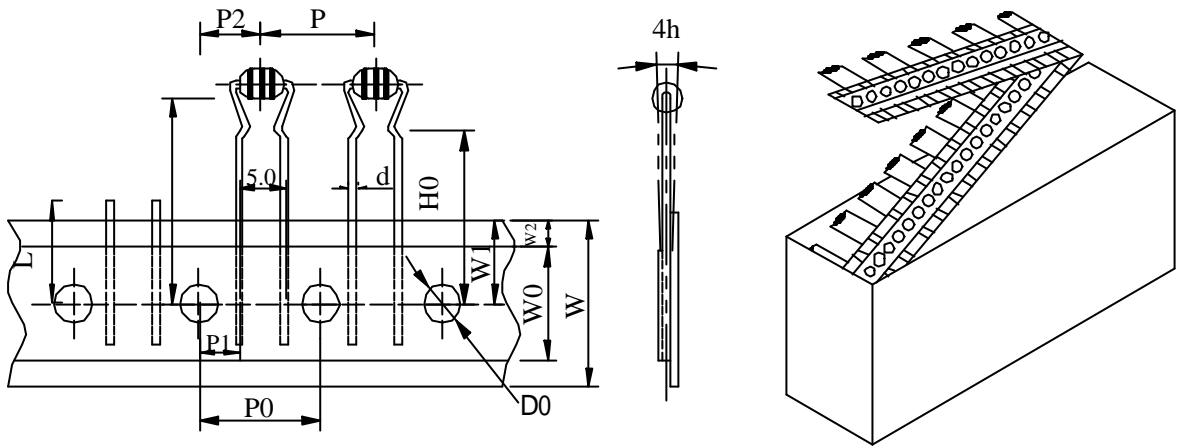
REF :

PAGE: 3

PROD. NAME	AXIAL INDUCTOR	ABC'S DWG NO.	AA0405	S
		ABC'S ITEM NO.		

. PACKAGING INFORMATION FOR ALA VERTICAL TAPING IN BOX

(1) Configuration



(2) Dimensions

Unit:m/m

Item	Specification	Item	Specification
P	12.7 ±1.00	W0	12.5 min.
P0	12.7 ±0.30	W1	9.0 ^{+0.75} _{-0.5}
P1	3.85 ±0.70	W2	3.0 max.
P2	6.35 ±1.30	H	20
d	0.6	H0	16 ±0.50
F	5.0	D0	4 ±0.30
∠h	0 ±2.00	t	0.7 ±0.20
W	8.00 ^{+/-} _{-0.5}	L	11 max.

(3) Q'TY & G.W. Per package

Series	Inner : Box			Outer : Carton		
	Q'TY (pcs)	G.W. (gw)	Size (m/m)	Q'TY (pcs)	G.W. (Kg)	Size (cm)
AA0405	2,000	900	256 x 76 x 106	24,000	11.60	37.6 x 26.6 x 34.5

AE-001A

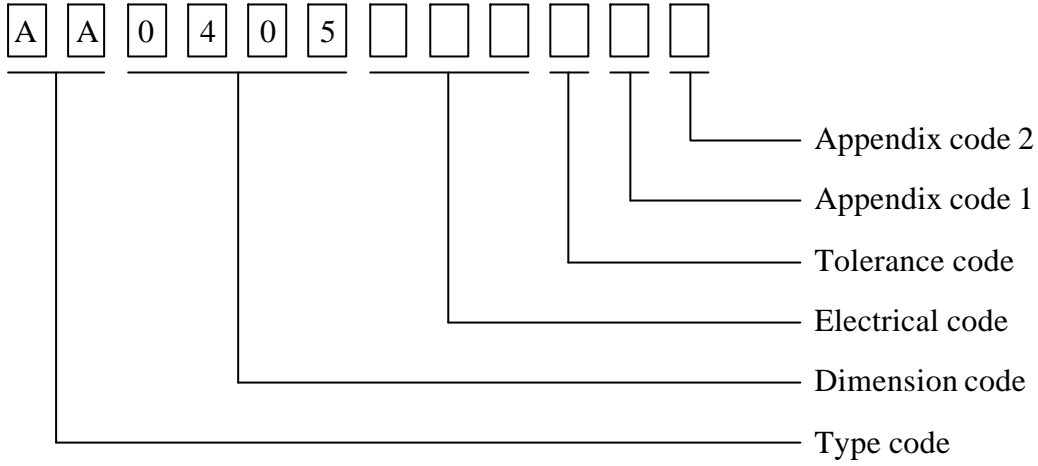
SPECIFICATION FOR APPROVAL

REF :

PAGE: 4

PROD. NAME	AXIAL INDUCTOR	ABC'S DWG NO.	AA0405	S
		ABC'S ITEM NO.		

· DWG EXPRESSION :



Appendix code 1 : S : Standard products

A R , T Z : Special products

Appendix code 2 :

Code	Inner package	Inner package Q'TY	Remark
A	Bag	1000 pcs	
B	T / B (T52 Box package)	2000 pcs	