

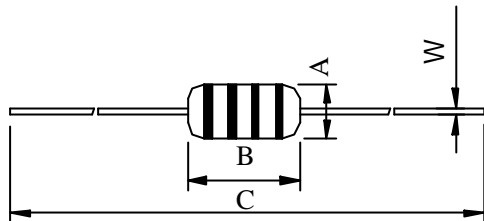
SPECIFICATION FOR APPROVAL

REF :

PAGE: 1

PROD. NAME	AXIAL INDUCTOR	ABC'S DWG NO.	AA0307	S
		ABC'S ITEM NO.		

. CONFIGURATION & DIMENSIONS :

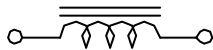


A :	3.0 max.	m/m
B :	7.5 max.	m/m
C :	61.0 ref.	m/m
W :	0.50	m/m

Color code :

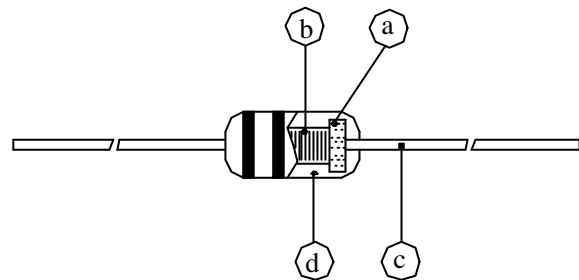
- 1st Color : First Significant Figure
- 2nd Color : Second Significant Figure
- 3rd Color : Multiplier
- 4th Color : Tolerance

. SCHEMATIC DIAGRAM :



. MATERIALS :

- a . Core : Ferrite DR core
- b . Wire : Enamelled copper wire 130
- c . Lead : Tinned copper wire
- d . Coating : Epoxy resin



. GENERAL SPECIFICATION :

- a . Temp. rise : 20 max.
- b . Ambient temp : 60 max.
- c . Operating temp : -20 ---- 80
- d . Terminal tensile strength : 1.0 KG min
- e . Terminal bending strength : 0.3 KG min
- f . Dielectric withstanding voltage : 250 Vrms
- g . Rated current : Base on temp. rise

AE-001A

SPECIFICATION FOR APPROVAL

REF :

PAGE: 2

PROD. NAME	AXIAL INDUCTOR	ABC'S DWG NO.	AA0307	S
		ABC'S ITEM NO.		

. ELECTRICAL CHARACTERISTICS :

DWG No.	Inductance		Q min.	Test Freq. (MHz)	SRF (MHz) min.	RDC () max.	IDC (mA) max.	Color Code			
	(μ H)	Tol.						1st	2nd	3rd	4th
AA0307R10MS	0.10	$\pm 20\%$	45	25.2	480.0	0.06	1400	BN	BK	SIL	---
AA0307R12MS	0.12	$\pm 20\%$	45	25.2	450.0	0.06	1350	BN	R	SIL	---
AA0307R15MS	0.15	$\pm 20\%$	45	25.2	420.0	0.07	1270	BN	GN	SIL	---
AA0307R18MS	0.18	$\pm 20\%$	45	25.2	400.0	0.07	1200	BN	GY	SIL	---
AA0307R22MS	0.22	$\pm 20\%$	45	25.2	380.0	0.08	1150	R	R	SIL	---
AA0307R27MS	0.27	$\pm 20\%$	45	25.2	360.0	0.09	1100	R	V	SIL	---
AA0307R33MS	0.33	$\pm 20\%$	45	25.2	320.0	0.10	1100	O	O	SIL	---
AA0307R39MS	0.39	$\pm 20\%$	45	25.2	310.0	0.12	1000	O	W	SIL	---
AA0307R47MS	0.47	$\pm 20\%$	45	25.2	300.0	0.15	1000	Y	V	SIL	---
AA0307R56MS	0.56	$\pm 20\%$	45	25.2	280.0	0.18	950	GN	BU	SIL	---
AA0307R68MS	0.68	$\pm 20\%$	45	25.2	240.0	0.20	900	BU	GY	SIL	---
AA0307R82MS	0.82	$\pm 20\%$	45	25.2	200.0	0.22	900	GY	R	SIL	---
AA03071R0KS	1.00	$\pm 10\%$	45	25.2	180.0	0.25	815	BN	BK	GD	SIL
AA03071R2KS	1.20	$\pm 10\%$	45	7.96	160.0	0.28	740	BN	R	GD	SIL
AA03071R5KS	1.50	$\pm 10\%$	45	7.96	140.0	0.30	700	BN	GN	GD	SIL
AA03071R8KS	1.80	$\pm 10\%$	45	7.96	120.0	0.35	655	BN	GY	GD	SIL
AA03072R2KS	2.20	$\pm 10\%$	45	7.96	110.0	0.40	630	R	R	GD	SIL
AA03072R7KS	2.70	$\pm 10\%$	45	7.96	85.0	0.45	595	R	V	GD	SIL
AA03073R3KS	3.30	$\pm 10\%$	45	7.96	74.0	0.50	575	O	O	GD	SIL
AA03073R9KS	3.90	$\pm 10\%$	45	7.96	62.0	0.55	555	O	W	GD	SIL
AA03074R7KS	4.70	$\pm 10\%$	45	7.96	48.0	0.60	530	Y	V	GD	SIL
AA03075R6KS	5.60	$\pm 10\%$	45	7.96	35.0	0.65	500	GN	BU	GD	SIL
AA03076R8KS	6.80	$\pm 10\%$	45	7.96	28.0	0.70	470	BU	GY	GD	SIL
AA03078R2KS	8.20	$\pm 10\%$	45	7.96	20.0	0.80	425	GY	R	GD	SIL
AA0307100KS	10.00	$\pm 10\%$	45	7.96	18.0	0.85	370	BN	BK	BK	SIL
AA0307120KS	12.00	$\pm 10\%$	45	2.52	16.0	0.90	350	BN	R	BK	SIL
AA0307150KS	15.00	$\pm 10\%$	45	2.52	14.0	1.00	335	BN	GN	BK	SIL
AA0307180KS	18.00	$\pm 10\%$	45	2.52	12.0	1.20	315	BN	GY	BK	SIL
AA0307220KS	22.00	$\pm 10\%$	45	2.52	10.0	1.35	285	R	R	BK	SIL
AA0307270KS	27.00	$\pm 10\%$	45	2.52	9.0	1.80	270	R	V	BK	SIL
AA0307330KS	33.00	$\pm 10\%$	45	2.52	8.0	2.10	255	O	O	BK	SIL
AA0307390KS	39.00	$\pm 10\%$	45	2.52	7.5	2.30	240	O	W	BK	SIL
AA0307470KS	47.00	$\pm 10\%$	50	2.52	7.0	2.60	205	Y	V	BK	SIL
AA0307560KS	56.00	$\pm 10\%$	50	2.52	6.5	2.90	195	GN	BU	BK	SIL
AA0307680KS	68.00	$\pm 10\%$	50	2.52	6.0	3.20	185	BU	GY	BK	SIL
AA0307820KS	82.00	$\pm 10\%$	50	2.52	5.5	3.80	175	GY	R	BK	SIL
AA0307101KS	100.00	$\pm 10\%$	50	2.52	5.0	4.20	165	BN	BK	BN	SIL
AA0307121KS	120.00	$\pm 10\%$	50	0.796	4.8	4.50	160	BN	R	BN	SIL
AA0307151KS	150.00	$\pm 10\%$	50	0.796	4.5	5.00	150	BN	GN	BN	SIL
AA0307181KS	180.00	$\pm 10\%$	50	0.796	4.0	6.00	140	BN	GY	BN	SIL
AA0307221KS	220.00	$\pm 10\%$	50	0.796	3.5	7.00	130	R	R	BN	SIL
AA0307271KS	270.00	$\pm 10\%$	50	0.796	3.0	7.50	120	R	V	BN	SIL
AA0307331KS	330.00	$\pm 10\%$	50	0.796	2.8	8.00	100	O	O	BN	SIL
AA0307391KS	390.00	$\pm 10\%$	50	0.796	2.6	10.00	95	O	W	BN	SIL
AA0307471KS	470.00	$\pm 10\%$	50	0.796	2.4	13.00	90	Y	V	BN	SIL
AA0307561KS	560.00	$\pm 10\%$	50	0.796	2.0	15.00	85	GN	BU	BN	SIL
AA0307681KS	680.00	$\pm 10\%$	50	0.796	1.8	16.00	75	BU	GY	BN	SIL
AA0307821KS	820.00	$\pm 10\%$	50	0.796	1.6	23.00	65	GY	R	BN	SIL
AA0307102KS	1000.00	$\pm 10\%$	50	0.796	1.4	26.00	60	BN	BK	R	SIL

1). : Package Information--- Bulk Taping / Box Taping / Reel

2) Test Equipment : HP4342A Q meter or equivalent

AE-001A



SPECIFICATION FOR APPROVAL

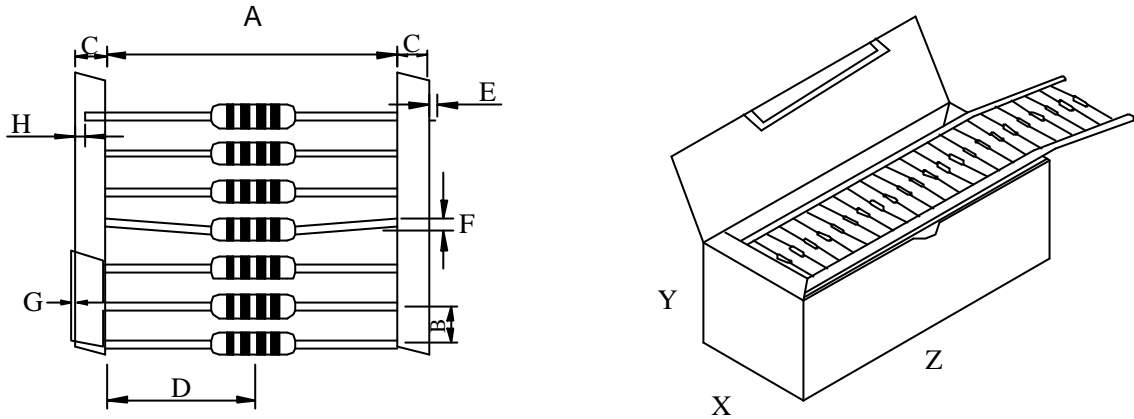
REF :

PAGE: 3

PROD. NAME	AXIAL INDUCTOR	ABC'S DWG NO.	AA0307	S
		ABC'S ITEM NO.		

. PACKAGING INFORMATION FOR ALA HORIZONTAL TAPING IN BOX

(1) Configuration



(2) Dimensions

Unit:m/m

Style	Item	Specification	Item	Specification
T 26	A	26.00 ±0.50	B	5.00 ±0.50
	D	13.00 ±0.50	C	6.00 ±1.00
	X	50.00 ±1.50	E	0.50 (max)
	H	2.50 (max)		
T 52	A	52.00 ±1.50	F	1.00 (max)
	D	26.00 ±1.50	G	1.00 (max)
	X	76.00 ±1.50	H	2.50 (max)

(3) Q'TY & G.W. Per package

Series	Inner : Box			Outer : Carton		
	Q'TY (pcs)	G.W. (gw)	Size (m/m)	Q'TY (pcs)	G.W. (Kg)	Size (cm)
AA0307	3,000	900	250 x 75 x 100	36,000	12.5	37.6 x 26.6 x 34.5

AE-001A

SPECIFICATION FOR APPROVAL

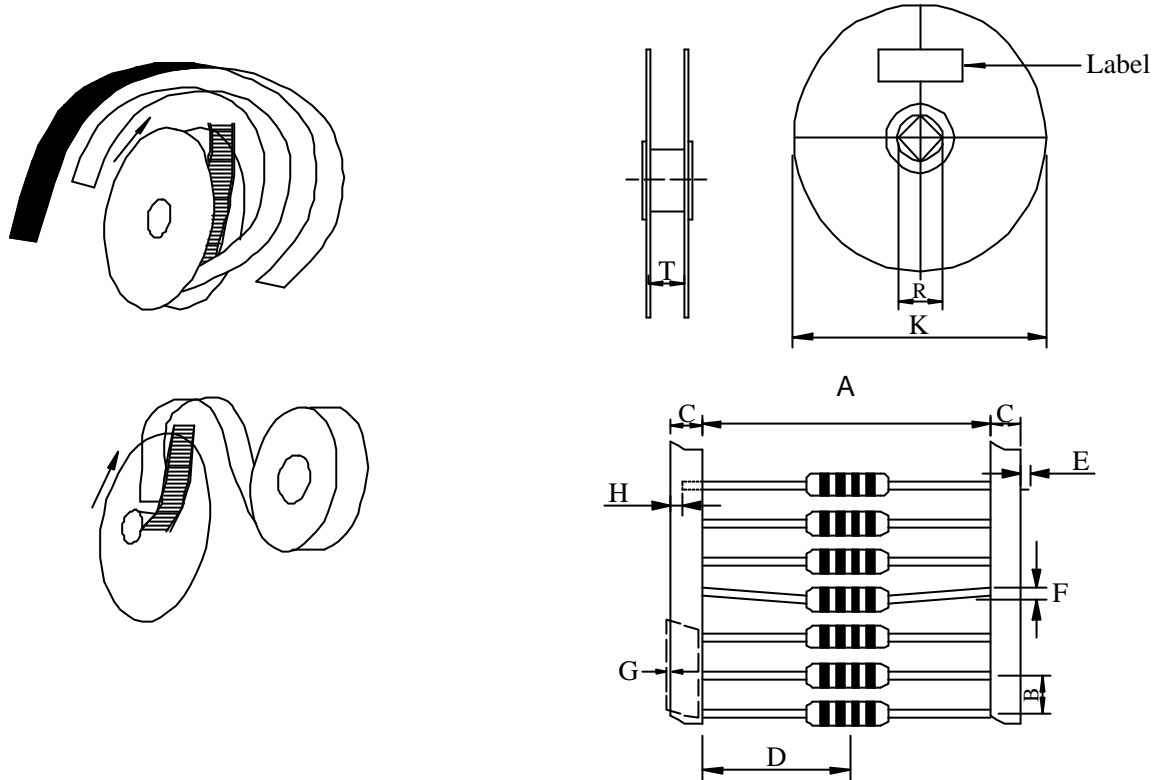
REF :

PAGE: 4

PROD. NAME	AXIAL INDUCTOR	ABC'S DWG NO.	AA0307	S
		ABC'S ITEM NO.		

. PACKAGING INFORMATION FOR ALA HORIZONTAL TAPING IN REEL

(1) Configuration



(2) Dimensions

Unit:m/m

Item	Specification	Item	Specification
A	52.00 ±0.50	F	1.00 (max.)
B	5.00 ±0.50	G	1.00 (max.)
C	6.00 ±1.00	K	355.00 ±0.50
D	26.00 ±0.50	R	15.00 ±0.50
E	0.50 (max.)	T	71.00 ±3.00
H	2.50 (max.)		

(3) Q'TY & G.W. Per package

Series	Inner : Reel			Outer : Carton		
	Q'TY (pcs)	G.W. (gw)	Size (m/m)	Q'TY (pcs)	G.W. (Kg)	Size (cm)
AA0307	5,000	1,600	370 x 370 x 85	20,000	8.0	37.9 x 37.9 x 37.3

AE-001A

SPECIFICATION FOR APPROVAL

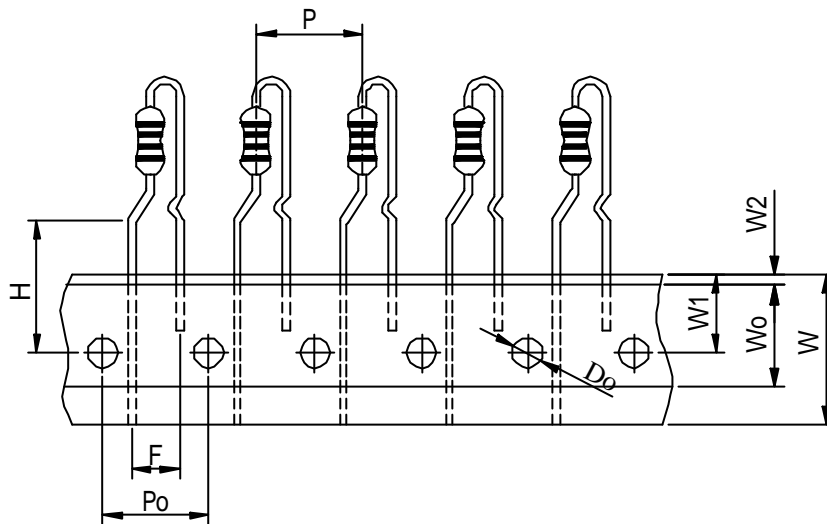
REF :

PAGE: 5

PROD. NAME	AXIAL INDUCTOR	ABC'S DWG NO.	AA0307	S
		ABC'S ITEM NO.		

. PACKAGING INFORMATION FOR BDC VERTICAL TAPING IN BOX
(PACKAGING CODE : K)

(1) Configuration



(2) Dimension

Unit:m/m

Item	Specification	Item	Specification
P	12.70 ±1.00	W	18.00 ^{+1.0} / _{-0.5}
Po	12.70 ±0.30	Wo	13.0±0.30
F	5.00 ^{+1.0} / _{-0.5}	W1	9.00±0.50
Do	4.00±0.20	W2	1.00 ^{ref.}
H	16.00 ±0.50		

AE-001A

SPECIFICATION FOR APPROVAL

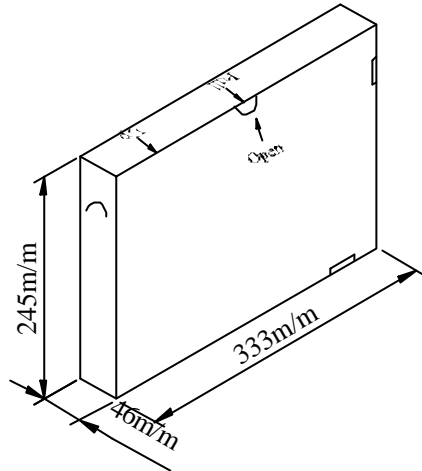
REF :

PAGE: 6

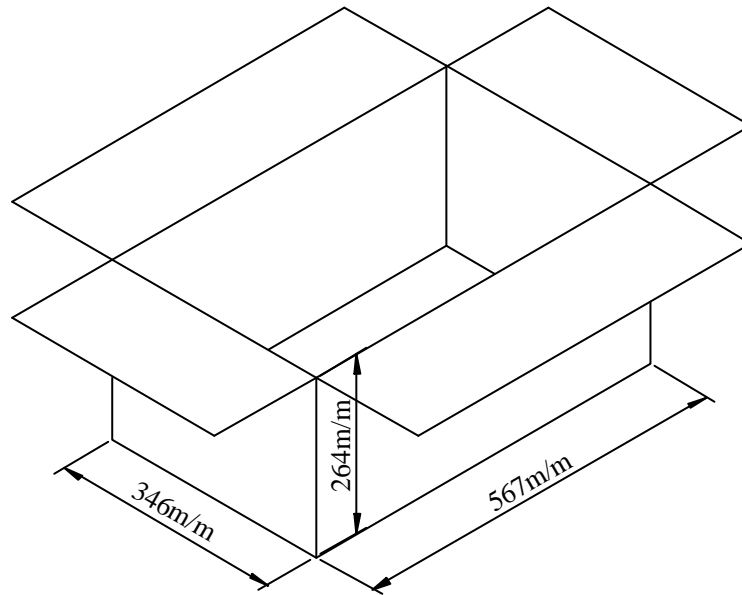
PROD. NAME	AXIAL INDUCTOR	ABC'S DWG NO.	AA0307	S
		ABC'S ITEM NO.		

(3) Q'TY & G.W. Per package

(3-1) Inner : Box



(3-2) Outer : Carton



Series	Inner : Box			Outer : Carton		
	Q'TY (pcs)	G.W. (gw)	Size (m/m)	Q'TY (pcs)	G.W. (Kg)	Size (cm)
AA0307	3,000	960	333 x 46 x 245	30,000	16.5	567 x 346 x 264

AE-001A

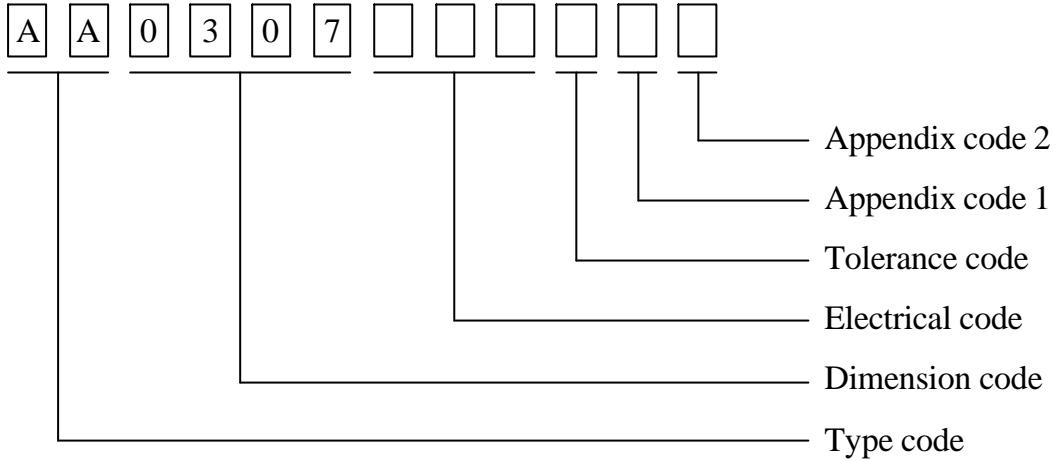
SPECIFICATION FOR APPROVAL

REF :

PAGE: 7

PROD. NAME	AXIAL INDUCTOR	ABC'S DWG NO.	AA0307	S
		ABC'S ITEM NO.		

. DWG EXPRESSION :



Appendix code 1 : S : Standard products

A R , T Z : Special products

Appendix code 2 :

Code	Inner package	Inner package Q'TY	Remark
A	Bag (Axial type)	1000 pcs	
B	T / B (T52 Box package)	3000 pcs	
C	T / R (T52 Reel package)	5000 pcs	
D	T / B (T26 Box package)	3000 pcs	
E	T / R (T26 Reel package)	3000 pcs	
F	BAG (Fm Forming type)	1000 pcs	
G	T / B (T52 Box package)	3000 pcs	
H	T / R (T52 Reel package)	5000 pcs	
I	T / B (T26 Box package)	3000 pcs	
J	T / R (T26 Reel package)	5000 pcs	
K	T / B (Vtp package)	3000 pcs	

AE-001A

